



Industrial Filters · Accumulators

Return Line Filters

RE 0004 - 0012



Filters for return line installation

Filters for tank mounting

Optimised flow characteristics

Low pressure drop

Special high efficient filter media

*Operating Pressure 3/10 bar
Connection up to G^{3/4}*



Quality assured!

Return Line Filters

RE 0004

Operating pressure 3 bar
Operating temperature -10°C to +90°C
Connection G $\frac{1}{2}$

RE 0006 - 0012

Operating pressure 10 bar
Operating temperature -20°C to +95°C
Connection G $\frac{1}{2}$ to G $\frac{3}{4}$

Application

Filtering hydraulic fluids, lubrication oils and liquids generally.
Direct tank mounting, direct installation in return pipes. Effective protection for tank and operating pumps as result of filtering out dirt from installation runback.

Design

Filter head of cast aluminium with screwing cover and inlet port.
Filter housing made of plastic with spigot for filter element and filter outlet.

Filter Element

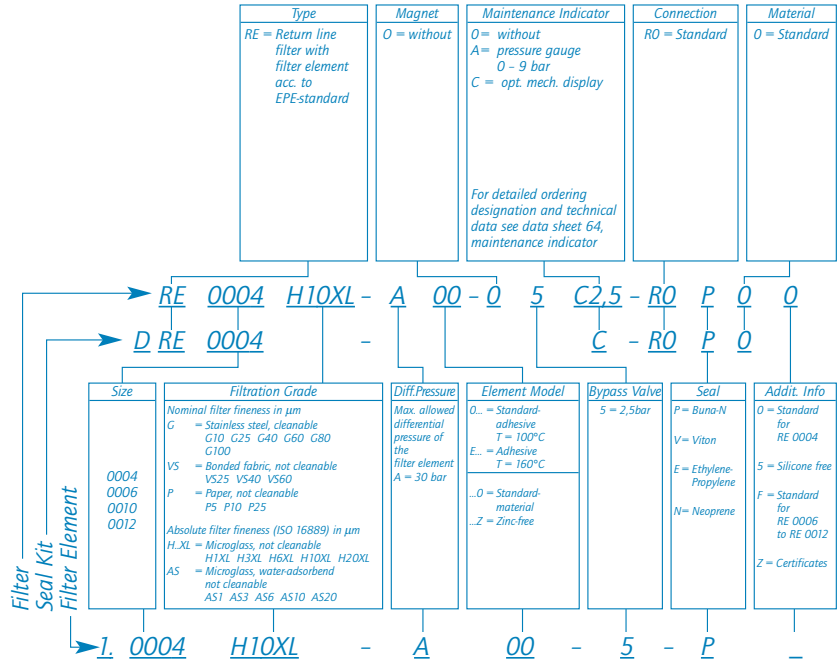
Pleated design with optimal pleat density and in various filter materials.
Further detailed information can be found in our "Filter Elements" brochure.
Our computer programme "EPE-FILTERSELECT" enables an optimal filter selection.

Accessories

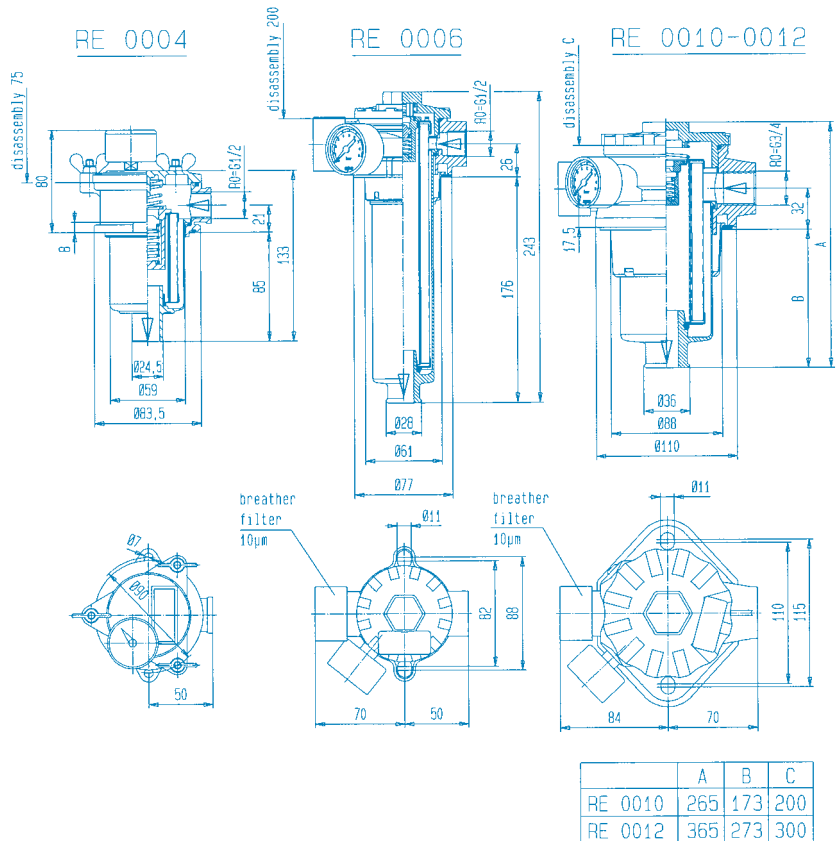
Maintenance Indicators

These monitor the degree of clogging of the filter elements and are available as visual or visual/electrical displays with one shift point.

Ordering Information



Dimensions



K. & H. Eppensteiner GmbH & Co. KG
Hardtvaldstraße 43 · D-68775 Ketsch
P.O. Box 1120 · D-68768 Ketsch
Phone: +49 6202/603-0
Telefax: +49 6202/603-199
E-Mail: info@eppensteiner.de
Internet: www.eppensteiner.de

More technical data: Data Sheet No. T30A-GB
Technical modification reserved!