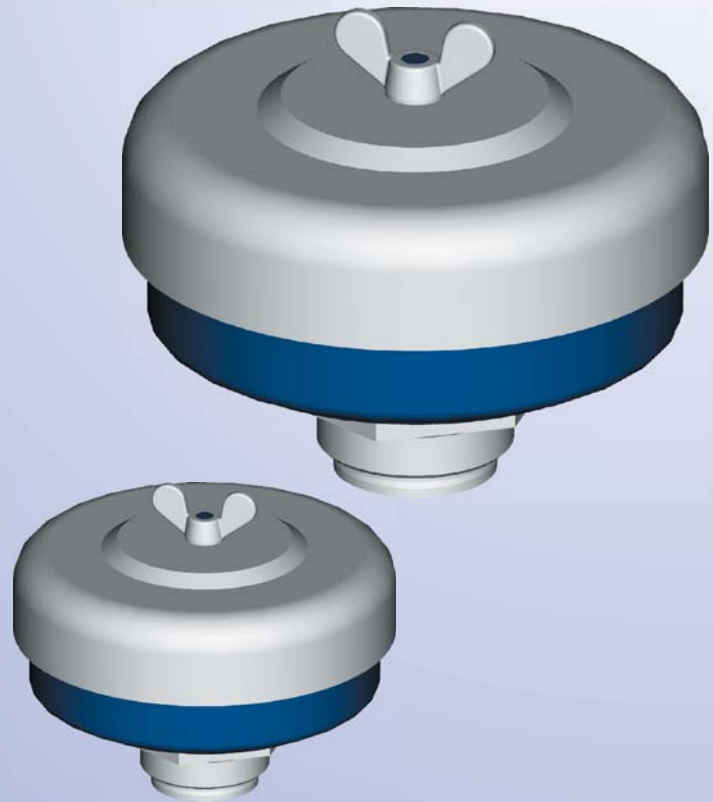




Filters . Accumulators

## Filler Breathers Type-TLF - I..., II..., III...



*Filters for tank mounting*

*Efficient filtration of air*

*Combined air breather & filler*

*Flange mounted filters*

*Low pressure drop*

*Special high efficient  
Filter media*

*Air flow up to 5000 m<sup>3</sup>/hr  
Connection up to G3 / DN125*



# Breather Filters

TLF I..., TLF II..., TLF III...

Operating temperature  
-20°C to +100°C

## Application

Filtration and dehumidifying of intake air for industrial systems.

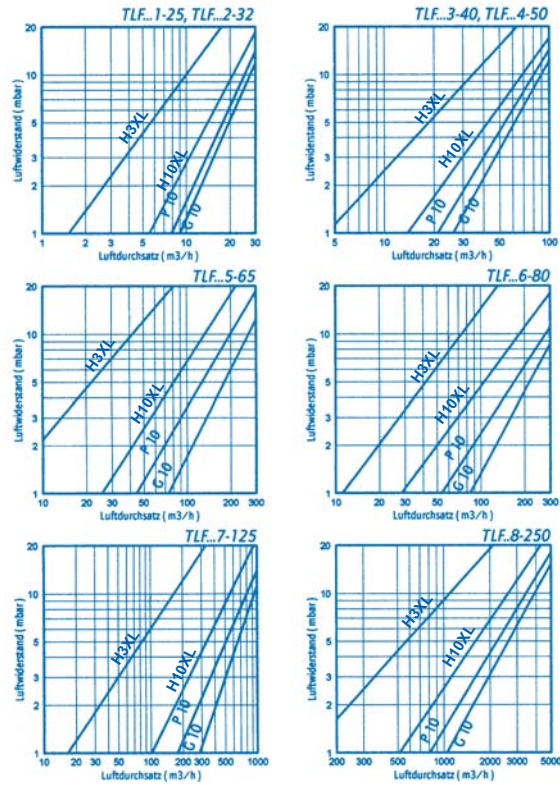
## Design

TLF... Filter housing for breathing and ventilation with changeable filter element inside. Filter elements H...XL up to 1mm filtration grade with glass-fibre filter media, water absorbing filter media AS optional. Types: I with female thread, II with male thread, III with male thread (with flange for size TLF III 7-125) and filler filter (130mm strainer).

Materials: as per spare parts list in this brochure.

# Performance Characteristics

Air flow characteristics  
Test temperature: 20°C



# Ordering Information

Special designs available on request.

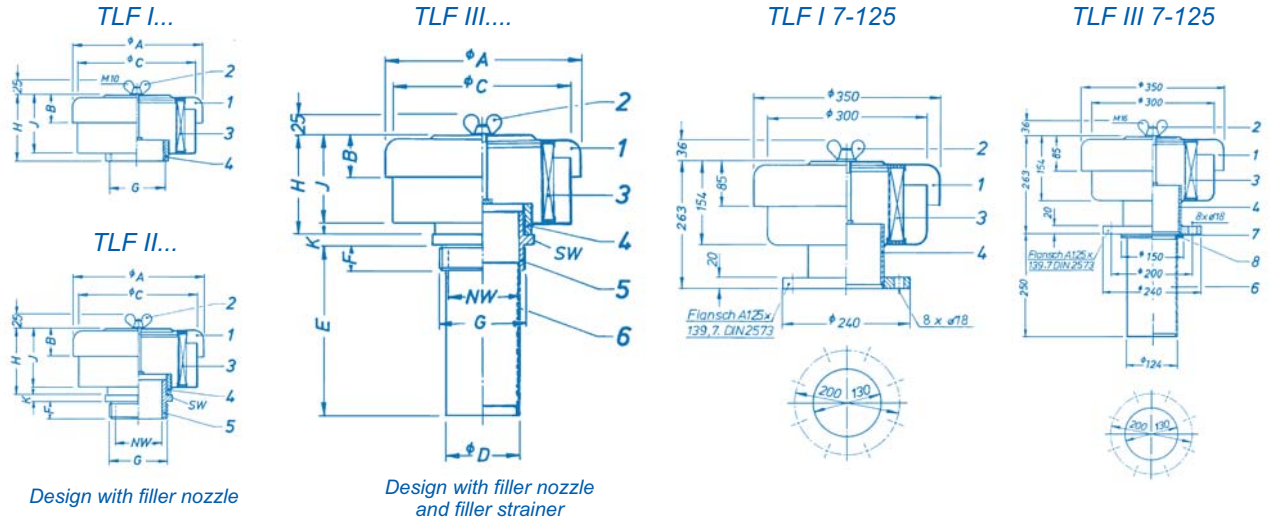
<b>Filter type</b> Filter, flange mountable TLF I = reservoir breather filter with female thread, abbr.DIN connection TLF II = reservoir breather filter with male thread connection TLF III = reservoir breather filter with male thread connection, abbr.DIN flange and filler strainer	<b>Magnet</b> 0 = without	<b>Maintenance Indicator</b> 0 = without	<b>Connection</b> 00 = standard	<b>Material</b> 0 = standard
---	------------------------------	---	------------------------------------	---------------------------------

Filter Assembly → **TLF III 7-125 P 10 - S 00 - 0 0 0 - 00 P 0 0**  
 Seal Kit\* → **D TLF III 7-125 - 0 0 - 00 P 0**

<b>Nominal Size</b> TLF I,II,III 1-25 2-32 3-40 4-50 5-65 6-80 TLF I,III 7-125	<b>Filtration Grade</b> Nominal filtration grade in µm G= stainless steel wire mesh, cleanable G10 G25 G40 G60 G80 G100 VS=nonwoven media, not cleanable VS 25 VS 40 VS 60 P= paper, not cleanable P5 P10 P25 Absolute filter grade (ISO16889) in µm H...XL=micro glass-fibre, not cleanable H1XL H3XL H6XL H10XL H20XL AS= micro glass-fibre, water absorbing, not cleanable AS1 AS3 AS6 AS10 AS20	<b>Diff. Pressure</b> Maximum allowable pressure drop across the filter element S = standard	<b>Filter Element Design</b> 0.. = Standard adhesive T=80°C  ..0 = Standard material ..Z = Zinc free	<b>Bypass Valve</b> 0 = without	<b>Seal</b> 0 = without P = Buna-N	<b>Addl. Info</b> 0 = without 5 = Silicon free E = Vent valve Z = Inspection certificate  5 = Silicon free C = Silicagel Z = Inspection certificate
--	---	--	---	------------------------------------	--	---

Filter Element → **7 007 P 10 - S 00 - 0 - P -**

## Dimensions



Size	Weight in kg	A	B	C	D	E	F	G	H	J	K	SW							
TLF I 1-25	0,5	Ø 102	24	Ø 92	-	-	-	G 1	53	43	-	-							
TLF I 2-32	0,6							G 1¼	63										
TLF I 3-40	2,1							G 1½											
TLF I 4-50	2,1							G 2	88				78						
TLF I 5-65	1,6							G 2½											
TLF I 6-80	1,9	Ø 210	45	Ø 190				G 3	88	78									
TLF II 1-25	0,6	Ø 102	24	Ø 92	-	-	17	G 1	53	43	6	46							
TLF II 2-32	0,7							G 1¼	63			55							
TLF II 3-40	2,3							G 1½				60							
TLF II 4-50	2,3						Ø 177	46	Ø 162			-	-	18	G 2	88	78	7	75
TLF II 5-65	2,0														G 2½		8	90	
TLF II 6-80	2,3														Ø 210	45	Ø 190		
TLF III 1-25	0,7	Ø 102	24	Ø 92	Ø 27	101	17	G 1	53	43	6	46							
TLF III 2-32	0,8				Ø 36	123		G 1¼	63			55							
TLF III 3-40	2,5				Ø 42	147		G 1½				60							
TLF III 4-50	2,5	Ø 177	46	Ø 162	Ø 52,5	177	18	G 2	88	78	7	75							
TLF III 5-65	2,3				Ø 67	209		G 2½		8		90							
TLF III 6-80	2,7				Ø 210	45		Ø 190	Ø 82	246		22	G 3	88	78	9	105		

## Spareparts

Size		TLF I, TLF II, TLF III											
Part	Qty	Designation	Material	1-25	2-32	3-40	4-50	5-65	6-80	7-125			
1	1	Cover	Steel	Please indicate ordering information "Filter Assembly"									
2	1	Wing nut	Steel	Part No. 4349									
3	1	Filter element	Various	Please indicate ordering information "Filter Element"									
4	1	Filter housing	Various	Please indicate ordering information "Filter Assembly"									
5	1	Filler nozzle	Aluminium	Part No.3650	Part No.3658	Part No.3659	Part No.3660	Part No.3661	Part No.3662	On request			
6	1	Filler strainer	Various	Part No.3651	Part No.3663	Part No.3664	Part No.3665	Part No.3666	Part No.3667	On request			
7	1	Seal	Buna N								-		On request
8	1	Seal	Buna N								-		On request

Filler nozzle and filler strainer only available as unit  
Seal kit is not possible



Filters . Accumulators

## Installation, Starting and Maintenance

### Filter Installation

Flange filter assembly at mounting device or in reservoir opening.

### Starting

Switch on system pump and start system. Pay attention to flow noise at breather filter. If flow noise can be heard, check size selection in accordance to air flow rate (Initial flow resistance < 20 mbar)

### Maintenance

All other breather filters do not have any maintenance indicators. We therefore recommend to check or to replace breather filters in regularly periods according to following table.

filter application	environmental Conditions - average dust concentration	service interval
general mechanical engineering	9.25 mg/m <sup>3</sup>	4000 h
heavy industry	50-80 mg/m <sup>3</sup>	3000 h
mobile hydraulics	30-100 mg/m <sup>3</sup>	3000 h

### Filter Element Service

Open cover (part 1) by unscrewing wing nut (part 2).  
Replace (H..XL, P and VS....) Or clean (G...material) filter element in the case of visual contamination.  
Insert filter element (part 4) in filter housing and refit cover while tighten wing nut hand screwed.

Check filler filters during maintenance for contamination and clean if necessary.

## EPE PROCESS FILTERS & ACCUMULATORS PVT LTD

### Techni Towers

C-54/A, A.P.I.E., Balanagar

Hyderabad -500 037. A.P., India.

Tel. Nos. : 23778803/23778804/23871445

Fax Nos. : 040-23871447.

Internet : www.epe-india.com

E-mail : business@epe-india.com