



Filters . Accumulators

Stainless Steel - Duplex Filter

40/100 ED 0004-0019

Operation pressure 40/100 bar

Connection up to SAE 1"

Application

Filtration of aggressive chemical or water based fluids. Filtration of gases. Direct installation in pipelines to provide wear protection of subsequent components and systems. Continuous operation due to duplex filter design.

Design

Filter head with inlet, outlet and filter element spigot.

Filter Element

Pleated design with optimised pleat density and various filter media. The filter element is the most important component of the "FILTER" to provide prolonged life and wear protection of the system. Oil cleanliness, the initial pressure drop and the dirt holding capacity are the most important criteria for selection. For further detailed information please refer our "Filter Elements" brochure.

Accessories

Maintenance Indicator

For monitoring the filter element's contamination status, visual and visual/electrical indicators, with one or two switching points are available.

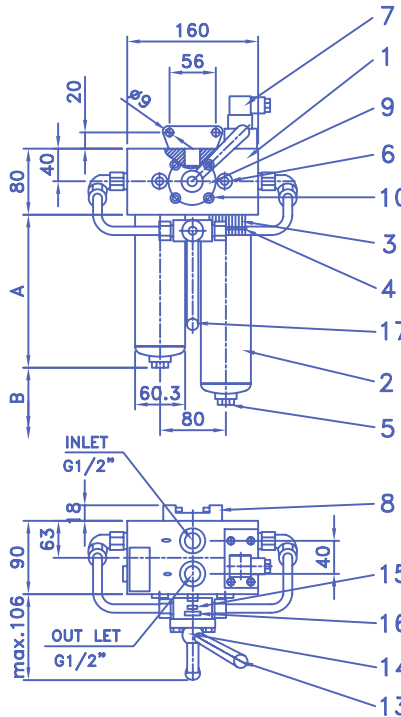
Bypass Valve

For the protection of the filter elements during cold start and when the differential pressure is exceeded due to clogging.

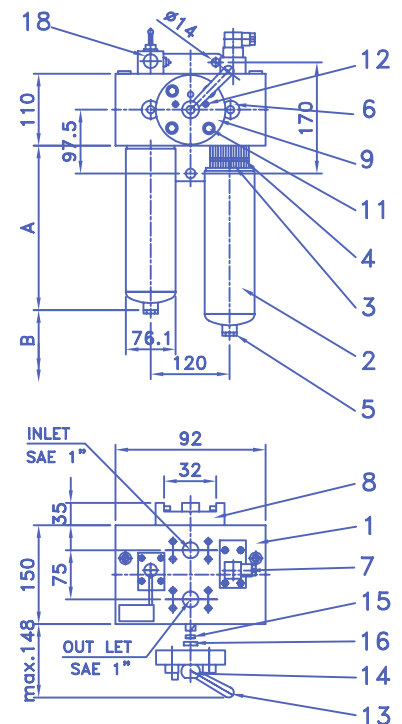
Vent Screw

For removing the air from the filter during starting and for safe depressurisation.

40/100 ED 0004-0008



40/100 ED 0014-0019



Spare Parts

| Part | Qty. | Designation | Size Material | 40/100 ED 0004-0008 | 40/100 ED 0014-0019 |
|------|------|--|---------------|--|---|
| 1 | 1 | Filter head | 1.4571 | Please indicate ordering information "Filter" | |
| 2 | 2 | Filter bowl | 1.4571 | Please indicate ordering information "Filter" | |
| 3 | 2 | Filter element | Various | Please indicate ord.inf. "Filter Element" | |
| 4 | 2 | O-ring | Viton | Please indicate ord.inf. "Seal Kit" | |
| 5 | 2 | Blanking plug | 1.4571/Viton | Part No. 3496 | |
| 6 | 2 | Vent screw | 1.4571/Viton | Part No. 13284 | |
| 7 | 1 | Maintenance Indicator | Various | Please indicate ord.inf. "Maintenance Indicator" | |
| 7.1 | 1 | Blanking plug (for construction without maintenance indicator) | A4 | Part No. 3461 | |
| 8 | 1 | Valve bottom | 1.4581 | Part No. 3760 | Part No. 17625 |
| 9 | 1 | Valve cover | 1.4571 | Part No. 21198 | Part No. 17626 |
| 10 | 8 | Hexagon screw | A4-70 | Part No. 3375 | - |
| 11 | 8 | Hex.socket head cap screw | A4-70 | - | Part No. 3811 |
| 12 | 2 | Shoulder stud | A4 | - | Part No. 3443 |
| 13 | 1 | Lever | A2 | Part No. 11832 | |
| 14 | 1 | Clamping sleeve | 1.4571 | Part No. 3434 | |
| 15 | 1 | O-ring | Viton | Please indicate ord.inf. "Seal Kit" | |
| 16 | 1 | O-ring | Viton | Please indicate ord.inf. "Seal Kit" | |
| 17 | 1 | Pressure equalisation device | 1.4571 | Please indicate ord. information "Filter" | - |
| 18 | 1 | Ball valve, compl. | Various | - | Please indicate ord. information "Filter" |

Dimensions

| Type | Capacity in l | Weight in kg ¹⁾ | A | B ²⁾ |
|----------------|---------------|----------------------------|-----|-----------------|
| 40/100 ED 0004 | 2x0,35 | 12,5 | 108 | 120 |
| 40/100 ED 0008 | 2x0,65 | 13,2 | 185 | |
| 40/100 ED 0014 | 2x0,85 | 39,5 | 150 | |
| 40/100 ED 0015 | 2x1,05 | 40,8 | 199 | |
| 40/100 ED 0018 | 2x1,35 | 42,5 | 250 | |
| 40/100 ED 0019 | 2x1,55 | 43,8 | 300 | |

1)= Weight including standard filter element and maintenance indicator
2)= servicing height for filter element replacement

EPE PROCESS FILTERS & ACCUMULATORS PVT LTD

Techni Towers

C-54/A, A.P.I.E., Balanagar

Hyderabad -500 037. A.P., India.

Tel. Nos. : 23778803/23778804/23871445

Fax Nos. : 040-23871447.

Internet : www.epe-india.com

E-mail : business@epe-india.com



Ordering Information

Special designs available on request.

| | | | | |
|---|--|--|--|--|
| Filter Type ED= stainless steel duplex filter | Magnet 0 = without 2 = magnet non ferrous metal | Maintenance Indicator 0 = without A.. = visual indicator B.. = combined visual/electrical Indicator with electric plug D.. = combined visual/electrical indicator with signal lights and two switching points Switch pressure 2.5 bar or 5.0 bar Detailed order reference and technical data please see data sheet 64 "Maintenance Indicator" | Connection R0 = pipe thread for 40/100 ED 0004-0008 S0 = SAE-flange for 40/100 ED 0014-0019 | Material 0 = stainless Steel 1.4571 Standard |
|---|--|--|--|--|

Filter Assembly → **40** **ED** **0014** **H10XL** **-A** **0V** **-0** **0** **B2,5** **-S0** **V** **0** **A**
 Seal Kit → **D 40** **ED** **0014** **-** **B** **-S0** **V** **0**

| Pressure | Nominal Size | Filter Media & Filtration Grade | Diff. Pressure | Element Model | Bypass Valve | Seal | Addl. Info |
|-------------------|--|---|---|---|--|---|---|
| 40 bar 100 bar | 0004 0008 0014 0015 0018 0019 | Nominal filtration grade in µm G= stainless steel wire mesh, cleanable G10 G25 G40 G60 G80 G100 VS=bonded fabric, not cleanable VS 25 VS 40 VS 60 P= paper, not cleanable P5 P10 P25 Absolute filtration grade (ISO16889)in µm H..XL=micro glass, not cleanable H1XL H3XL H6XL H10XL H20XL AS= micro glass-fibre, water absorbing, not cleanable AS1 AS3 AS6 AS10 AS20 | Maximum allowable differential pressure drop across the filter element A = 30 bar C = 160 bar | 0.. = Standard adhesive T=100°C E.. = Special adhesive T=160°C ..V = stainless steel 1.4571 standard ..Z = Zinc free | 0 = without 7 = 3.5 bar only for 40/100 ED 0004-0008 For Filter Element always 0 | P = Buna-N / Nitrile V = Viton E = Ethylene-Propylene N = Neoprene | A = pressure equalisation standard E = Vent Valve Z = Certificates 0 = without 5 = Silicon free 5 = Silicon free Z = Certificates |

Filter Element → **2.** **0014** **H10XL** **-A** **0V** **-0** **0** **V** **-**

Installation, Starting and Maintenance

Installation

Verify operation pressure with name plate information.
Mount the filter assembly using mounting holes on the head considering flow direction (direction arrows) and servicing height required for cleaning/replacing elements.
Remove dust protection plugs from filter inlet and outlet, screw filter in pipeline without tension stress.

Connection of Electrical Maintenance Indicator

See brochure 64.

WARNING

Assembly and disassemble filter only when system is switched off!
Vessel is under pressure!
Leave pressure equalisation valve closed while filter housing is out of service!
Do not change maintenance indicator or pressure equalisation valve when filter is under pressure!
Functions and safety warranty only with EPE-spare part!
Service filter only by trained personal!
Coat the thread latest after two years with MoS2 bonded coating

Starting

Switch on system pump. Ventilate filter by opening the vent screw, close when operating liquid emerges. Close pressure equalisation.

Maintenance

The filter element is clogged and needs to be replaced or cleaned when at operating temperature the visual indicator's red pin reaches its final position and/or the electrical switch is activated.

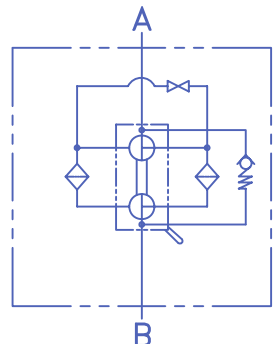
Filter Element Service

Open pressure equalisation to equalise pressure in both filter housings.
Switch lever on clean filter side. Close pressure equalisation.
Open the vent screw on the filter taken out of operation and reduce the pressure.
Unscrew filter bowl and remove filter element, turning slightly off from its spigot in the filter head.
Check filter bowl inside and clean if necessary.
Replace filter element H...XL...and VS... The filter element with G...and M...media is cleanable.
Pressure drop prior to servicing/cleaning the element. If the differential pressure after the filter element's cleaning process exceeds more than 50% of the pre service value the G...and M...element also needs to be replaced. Install cleaned or replaced filter element by slightly turning it back on its spigot. Check o-ring on filter bowl, replace in case of damage or wear. Screw filter bowl!
Ventilate filter by opening the vent screw, close when operating liquid emerges. Leave pressure equalisation closed.

Technical modifications reserved!

Filter Switching Symbol

40/100 ED 0004-0008



40/100 ED 0014-0019

