

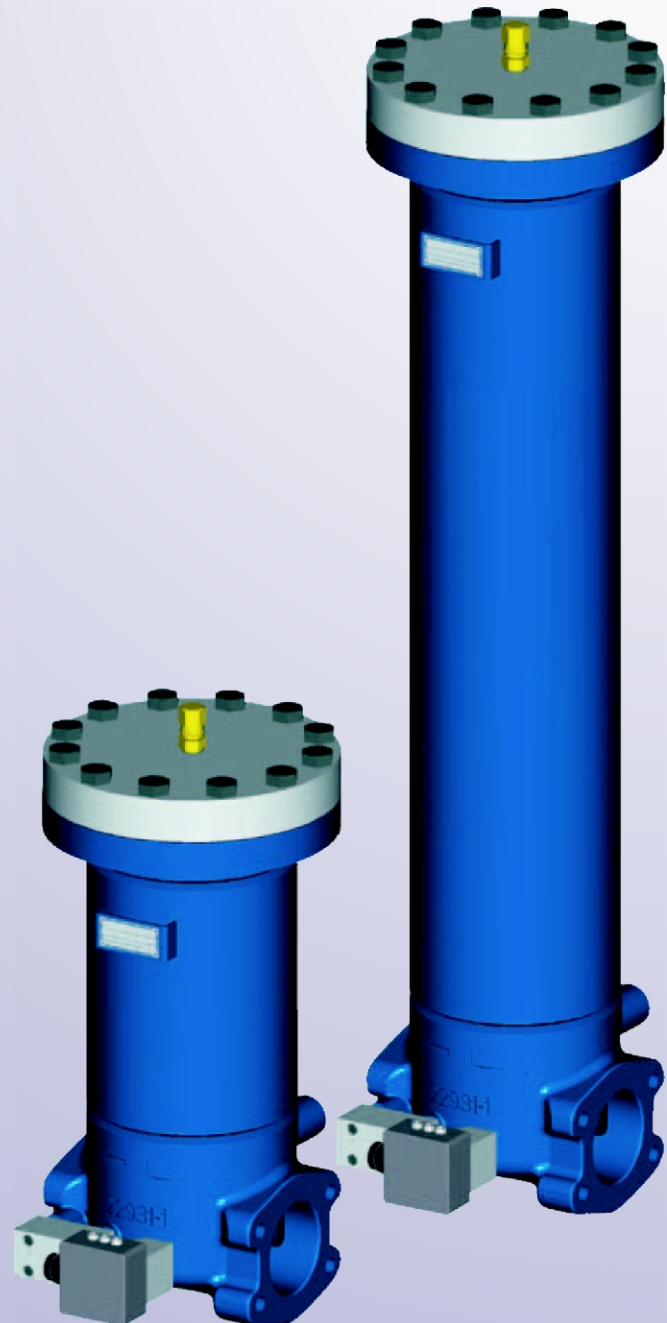


Filters . Accumulators

## Inline Filters

100 FLE 0020(C) - 0120(C)

100 FLEN 0160 - 0630



*Filters for inline installation*

*Designed for offline filtration*

*Installation of environment - friendly ECOPore Filter Elements with reusable core ( central tube )*

*Large filter area*

*Optimised flow characteristics*

*Low pressure drop*

*Special high efficient filter media*

*Operating pressure: 100 bar  
Connection up to SAE 3"*



## Inline Filters

100 FLE 0020(C) - 0120(C)  
 100 FLEN 0160 - 0630  
 Operating pressure 100 bar  
 Operating temperature  
 -10°C to +100°C  
 Connection up to SAE 3"

## Application

Filtration of pressurised liquids and Lubricants. Filtration of liquids and gases. Direct installation in pipelines. Direct wear protection of subsequent components and systems. Offline filtration with high service time.

## Design

Two piece design consisting of filter housing with inlet and outlet and flange mounted filter cover.

## Filter Element

Pleated design with optimised pleat density and various filter media. The filter element is the most important component of the filter in view of prolonged life and wear protection of the system.

Oil cleanliness, the initial pressure drop and the dirt holding capacity are the most important criteria for selection.

For further detailed information please refer our "Filter Elements" brochure.

## Accessories

### Maintenance Indicators

For monitoring the filter element's contamination status, visual and visual/electrical indicators, with one or two switching points are available.

### Bypass Valve

To protect the filter element during start up and over pressurisation due to clogging.

### Vent Valve

For removing the air from the filter during starting and for safe de-pressurisation

## EPE PROCESS FILTERS & ACCUMULATORS PVT LTD

### Techni Towers

C-54/A, A.P.I.E., Balanagar  
 Hyderabad -500 037. A.P., India.  
 Tel. Nos. : 23778803/23778804/23871445  
 Fax Nos. : 040-23871447.  
 Internet : www.epe-india.com  
 E-mail : business@epe-india.com

## Ordering Information

Filter Type	Magnet	Maintenance Indicator	Connection	Material
FLE= Inline filter with filter element according to EPE Standard FLEN= Inline filter with filter element according to DIN 24550	0 = without	0 = without A. = visual indicator B. = combined visual/electrical indicator with electric plug D. = combined visual/electrical indicator with signal lights and two switching points	SO = SAE flange	0 = standard
Detailed order reference technical data please see data sheet "Maintenance Indicator"				

Filter Assembly	100	FLE	0060	H10XL	-	A	00	-	0	0	B2.5	-	SO	P	0	0
Seal Kit	D 100	FLE	0060								B		SO	P	0	

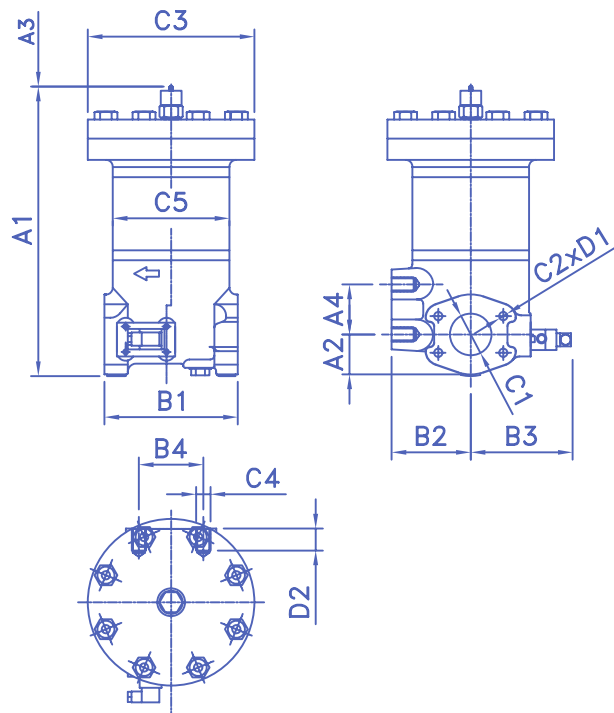
  

Nominal Size	Filter Media & Filtration Grade	Diff. Pressure	Element Model	Bypass Valve	Seal	Addl. Info
100 FLE 0020(C) 0030(C) 0045(C) 0060(C) 0095(C) 0120(C)	Nominal filtration grade in µm G= stainless steel wire mesh, cleanable G10 G25 G40 G60 G80 G100 VS= bonded fabric, not cleanable VS 25 VS 40 VS 60 P= paper, not cleanable PS P10 P25	Maximum allowable differential pressure of the filter element O = 15 bar A = 30 bar C = 160 bar	0. = Standard Adhesive T=100°C E. = Special adhesive T=160°C  .O = Standard material .Z= free of zinc	0 = without 7 = 3.5 Bar	P = Buna-N V = Viton E = Ethylene-Propylene N = Neoprene	0 = without 5= silicon free E= vent valve Z= documentation
100FLEN 0160 0250 0400 0630 1000  (C)= Coreless filter element	Absolute filtration grade (ISO16889) in µm H..XL= micro glass, not cleanable H1XL H3XL H6XL H10XL H20XL AS= micro glass fibre, water absorbing, not cleanable AS1 AS3 AS6 AS10 AS20			For Filter Element always 0		5= silicon free Z= documentation

Filter Element	1.	0060	H10XL	-	A	00	-	0	P	-
----------------	----	------	-------	---	---	----	---	---	---	---

## Dimensions



Type	Capacity in l	Weight in kg <sup>1)</sup>	A1	A2	A3 <sup>2)</sup>	A4	B1	B2	B3	B4	C1	C2	C3	C4	C5	D1	D2
100 FLE 0020(C)	2,1	22,4	351		160												
100 FLE 0030(C)	3,2	28,0	441	50	250	60	160	95	144	70	SAE 2" 3000psi DN 50	M12	Ø200	M16	Ø140	21	22
100 FLE 0045(C)	5,1	29,0	591		400												
100 FLE 0060(C)		34,0	482		250												
100 FLE 0095(C)	7,8	38,3	632	65	400	70	195	105	158	90	SAE 3" 3000psi DN 80	M16	Ø240	M16	Ø170	22	20
100 FLE 0120(C)	14,3	49,2	989		750												
100 FLEN 0160	2,1	28,0	351		160												
100 FLEN 0250	3,2	28,0	441	50	250	60	160	95	144	70	SAE 2" 3000psi DN 50	M12	Ø200	M16	Ø140	21	22
100 FLEN 0400	5,1	34,0	482		250												
100 FLEN 0630	7,8	38,3	632	65	400	70	195	105	158	90	SAE 3" 3000psi DN 80	M16	Ø240	M16	Ø170	22	20

1)= weight including standard filter element and maintenance indicator  
 2)= construction dimension for filter element change

Technical modifications reserved.

EPE/100-FLE/R.01 (01-12) - TM