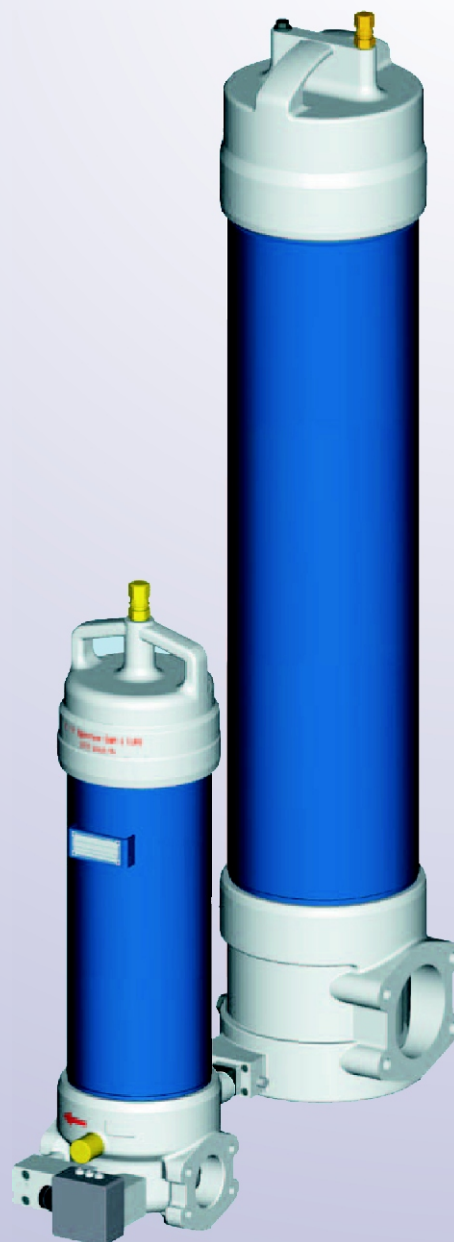




Filters . Accumulators

Inline Filters

40 FLE 0020(C)-0270(C)
40 FLEN 0160-1000



Filters for inline installation

Designed for offline filtration

Installation of environment-friendly ECO Pore Filter Elements with reusable core (central tube)

Large filter area

Optimised flow characteristics

Low pressure drop

Special high efficient filter media

*Operating pressure: 40 bar
Connection up to SAE 4"*



Inline Filters

40 FLE 0020(C)-0270(C)

40 FLEN 0160-1000

Operating pressure 40 bar

Operating temperature

-10°C to +100°C

Connection up to SAE 4"

Application

Filtration of pressurised liquids and lubricants.

Filtration of liquids and gases.

Direct installation in pipelines. Direct wear protection of subsequent components and systems.

Offline filtration with high service time.

Design

Modular design constructed out of three parts including filter bowl with inlet and outlet, filter body and threaded filter head.

Filter Element

Pleated design with optimised pleat density and various filter media. The filter element is the most important component of the filter in view of the prolonged life and wear protection of the system.

Oil cleanliness, the initial pressure drop and the dirt holding capacity are the most important criteria for selection.

For further detailed information please refer our "Filter Elements" brochure.

Accessories

Maintenance Indicators

For monitoring the filter element's contamination status, visual and visual /electrical indicators, with one or two switching points are available.

Bypass Valve

To protect the filter element during start up and over pressurisation due to clogging.

Vent Valve

For removing the air from filter during starting and for safe depressurisation.

EPE PROCESS FILTERS & ACCUMULATORS PVT LTD

Techni Towers

C-54/A, A.P.I.E., Balanagar

Hyderabad -500 037. A.P., India.

Tel. Nos. : 23778803/23778804/23871445

Fax Nos. : 040-23871447.

Internet : www.epe-india.com

E-mail : business@epe-india.com

Ordering Information

Filter Type	Magnet	Maintenance Indicator	Connection	Material
FLE= inline filter with filter element according to EPE Standard FLEN= inline filter with filter element according to DIN 24550	0 = without	0 = without A.. = visual indicator B.. = combined visual/electrical Indicator with electric plug D.. = combined visual/electrical indicator with signal lights and two switching points	SO = SAE flange	0 = standard
Detailed order reference technical data please see data sheet "Maintenance Indicator"				

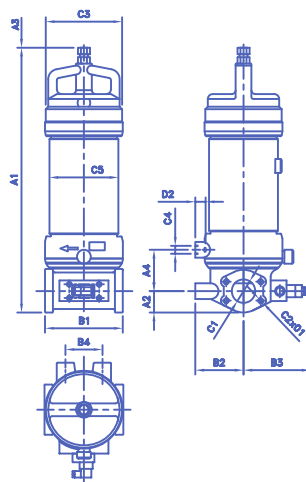
Filter Assembly → 40 FLE 0270 H10XL-0 00-0 0 B2,5 - S0 P 0 B
Seal Kit → D 40 FLE 0270 B - S0 P 0

Nominal Size	Filter Media & Filtration Grade	Diff. Pressure	Element Model	Bypass Valve	Seal	Addl. Info
40 FLE 0020(C) 0030(C) 0045(C) 0060(C) 0095(C) 0120(C) 0145(C) 0200(C) 0270(C) 40FLEN 0160 0250 0400 0630	Nominal filtration grade in µm G= stainless steel wire mesh, cleanable G10 G25 G40 G60 G80 G100 VS= bonded fabric, not cleanable VS 25 VS 40 VS 60 P= paper, not cleanable PS P10 P25 Absolute filtration grade (ISO16889) in µm H..XL= micro glass, not cleanable H1XL H3XL H6XL H10XL H20XL AS= micro glass-fibre, water absorbing, not cleanable AS1 AS3 AS6 AS10 AS20	Maximum allowable differential pressure of the filter element A = 30 bar O = 15 bar only for 0145 0200 0270	0.. = Standard Adhesive T=100°C E.. = Special adhesive T=160°C ...O = Standard material ...Z= free of zinc	0 = without 7 = 3.5 Bar	P = Buna-N / Nitrile V = Viton E = Ethylene-Propylene N = Neoprene	0 = without 1 = 'A' indicator for 40 FLE 0145(C)-0270(C) 2 = 'B' indicator for FLE 0145(C)-0270(C) 5= silicon free B= using clamp E= vent valve Z= documentation 5= silicon free Z= documentation

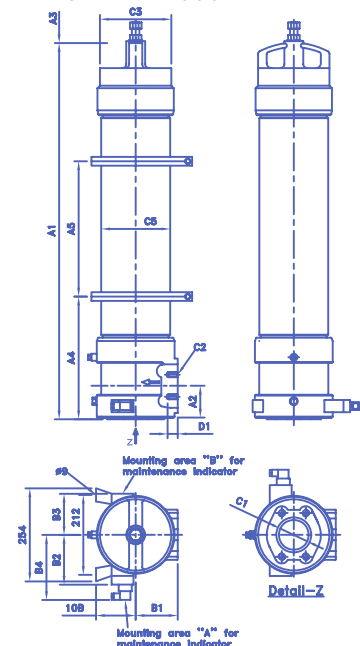
Filter Element → 1. 0270 H10XL - 0 00 - 0 P -

Dimensions

40 FLE 0020(C)-0120(C)
40 FLEN 0160-0630



40 FLE 0145(C)-0270(C)
40 FLEN 1000



Type	Capacity in l	Weight in Kg ¹⁾	A1	A2	A3 ²⁾	A4	A5	B1	B2	B3	B4	C1	C2	C3	C4	C5	D1	D2
40 FLE 0020(C)	1,4	12,0	411		160													
40 FLE 0030(C)	2,7	13,2	501	49,5	250	60		160	95	143	70	SAE2"3000psi DN50	M12	Ø158	M16	Ø140	21	22
40 FLE 0045(C)	4,8	19,0	651		400													
40 FLE 0060(C)	4,0	19,5	543		250													
40 FLE 0095(C)	7,1	21,9	693	61,5	400	70		195	105	155	90	SAE3"3000psi DN80	M16	Ø188	M16	Ø170	21	20
40 FLE 0120(C)	14	27,4	1050		750													
40 FLE 0145(C)	12	50	553		400	260	65											
40 FLE 0200(C)	22	60	911	90	758	320	310	118	113	113	183	SAE4"3000psi DN100	M16	Ø188	-	Ø200	26	-
40 FLE 0270(C)	28	70	1145		992		540											
40 FLEN 0160	1,4	12,0	411		160													
40 FLEN 0250	2,7	13,2	501	49,5	250	60		160	95	143	70	SAE2"3000psi DN50	M12	Ø158	M16	Ø140	21	22
40 FLEN 0400	4,0	19,5	543		250													
40 FLEN 0630	7,1	21,9	693	61,5	400	70		195	105	155	90	SAE3"3000psi DN80	M16	Ø188	M16	Ø170	21	20
40 FLEN 1000	12	50	553	90	400	260	65	118	113	113	183	SAE4"3000psi DN100	M16	Ø216	-	Ø200	26	-

¹⁾ = Weight including standard filter element and maintenance indicator

²⁾ = Construction dimension for filter element change.