



Filters . Accumulators

Application

We equip our filters according to type and size with these permanent magnets. They can also be used for installing in gear casings, motor casings and oil receptacles of hydraulic equipment.

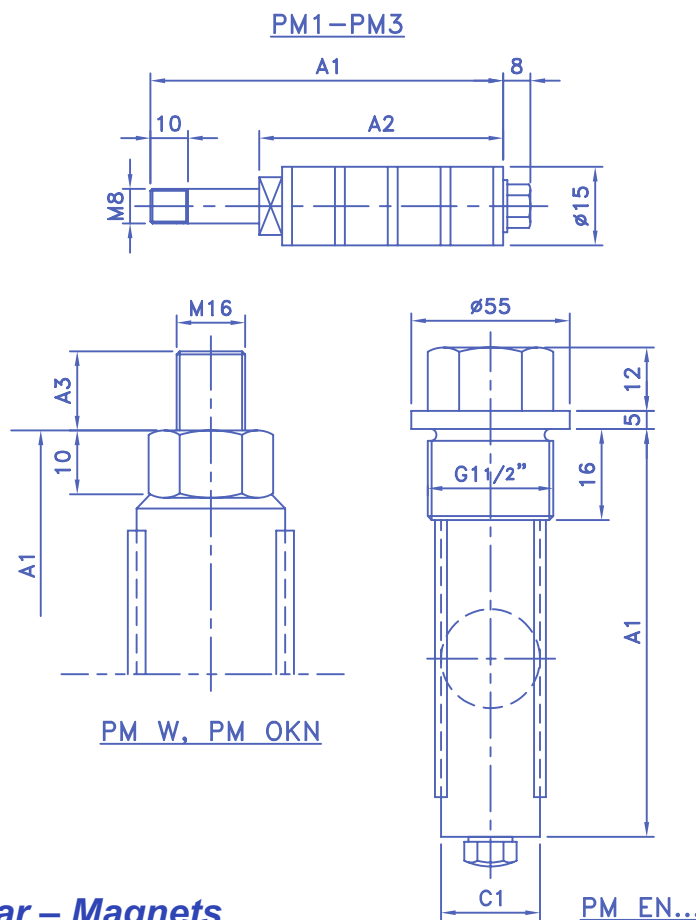
Bar – Magnets

The magnet rings on the rods PM 1 to PM 3 are enclosed in a brass sleeve. Also the magnet core of the rods PM-W, and PM-OKN and PM-EN is in a brass sleeve. All PM – rods are completely chromium-plated.

Ring – Magnets

The ring-magnets size 2 to 4 are in aluminium containers, the number of magnets needed are placed on pins or in tubes.

Permanent-Magnets

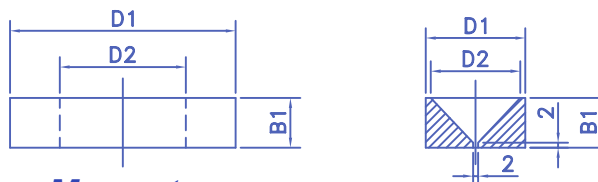


Bar – Magnets

Part No.	Type	Weight in kg	A1	A2	A3	C1
1148	PM 1	0,070	60,5	34,5	-	-
1149	PM 2	0,125	92,5	66,5	-	-
1150	PM 3	0,170	124,5	98,5	-	-
3459	PM W*	0,750	177	-	-	ø22
3105	PM OKN*	1,300	361	-	-	ø32
3306	PM EN 1100	0,750	361,5	-	15	ø22
3305	PM EN 2100	1,200	387	-	20	ø32

* with screw

PM 0



Ring – Magnets

Part No.	Type	Weight in kg	D1	D2	B1
1154	PM 0	0,03	ø30	ø28	14,5
1155	Size 2	0,03	ø36	ø18,5	8
1156	Size 3	0,08	ø51	ø24,5	10
1157	Size 4	0,24	ø72	ø32	15
1158		0,15	ø75	ø55	15
1159		0,12	ø106	ø74	5,5

EPE PROCESS FILTERS & ACCUMULATORS PVT LTD

Techni Towers
C-54/A, A.P.I.E., Balanagar
Hyderabad -500 037. A.P., India.
Tel. Nos. : 23778803/23778804/23871445
Fax Nos. : 040-23871447.
Internet : www.epe-india.com
E-mail : business@epe-india.com



Technical modifications reserved!

EPE/Mag/R.01 (01-12)-TM