



Filters . Accumulators

Return Line Filters Type-RL/DR



*Filters for return line installation
and also continuous operation*

Filters for tank mounting

Optimised flow characteristics

Low pressure drop

*Special high efficient
filter media*

*Operating pressure: 10/16 bar
Connection up to DN 100*



Application

Designed for operating at pressures upto 16 bar and for mounting directly on to the oil tank, thus filtering the oil immediately before reuse.

The duplex return line filters DR series are designed to be used when an uninterrupted flow is required or when maintenance time is to be kept to a minimum.

Design

The filter housings are of welded steel construction with inlet on the side and outlet at the bottom.

The filter cover is provided with a vent arrangement.

Filter Element

Pleated design with optimal pleat density and in various filter materials. Further detailed information can be found in our "Filter Elements" filter brochure.

Optional Accessories

Maintenance Indicator.

For monitoring the degree of clogging of the filter elements. Available in Optical / Optical-Mechanical, Electrical & Optical-Electrical options.

Permanent Ring Magnet.

For removal of ferrous contaminants from the fluid.

Bypass Valve.

To protect the filter element during start-up and over pressurisation due to clogging.

Air release / vent valve.

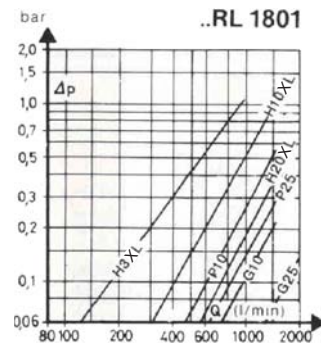
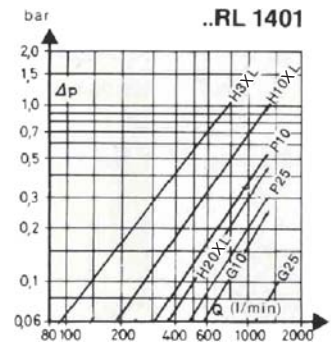
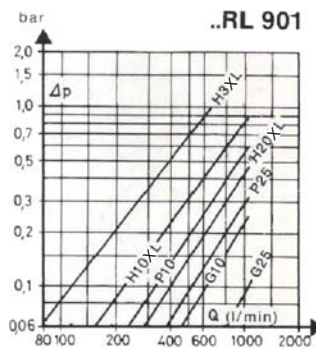
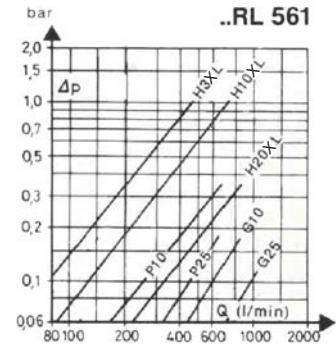
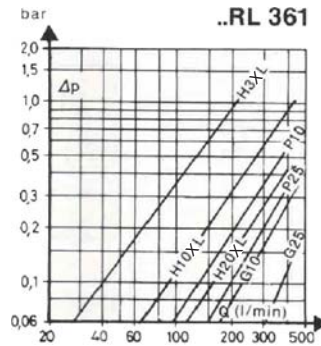
For removing the air from the filter during start-up and for safe depressurisation.

Performance characteristic curves

ΔP -Q-characteristic curves for complete filter

Oil viscosity : 30 mm²/s [30 cSt]

Specific weight : ≤ 0.9 kg/dm³



Ordering Information

Special design available on request.

Filter Type	Magnet	Maintenance Indicator Design	Connection	Material
RL Simplex Return Line DR Duplex Return Line	0 without 2 fitted	0 without A... Manometer 0-6 bar B... Mano-Gly.Filled C... Opt.Mech.display D2.5 Pre.Switch closer F2.5 Pre.Switch opener G2.5 Pre.Sw.change-over K2.5 Pre.Switch with 2 LEDs	Port Connections Inlet R... Threaded G F... Sq.Flange FG... with mating flange Outlet R... Threaded G F... Sq.Flange FG... with mating flange S... Discharge pipe	0 Standard

Filter Assembly → **16** **DR** **361** **H10XL** - **A** **00** - **2** **6** **D2.5** - **FR** **P** **0** **E**

Seal Kit → **D16** **DR** **361** - - **D** - **FR** **P** **0**

Pressure	Nominal Size	Filter Media & Filtration Grade	Diff. Pressure	Element Model	Bypass Valve	Seal	Add. Info
10 10 bar 16 16 bar	361 451 561 901 1401 1801 1801/0270	Nominal filtration grade in µm G= stainless steel wire mesh, cleanable G10 G25 G40 G60 G80 G100 VS=bonded fabric, not cleanable VS 25 VS 40 VS 60 P= paper, not cleanable P5 P10 P25 Absolute filtration grade (ISO16889)in µm H...XL=micro glass, not cleanable H1XL H3XL H6XL H10XL H20XL AS= micro glass-fibre, water absorbing, not cleanable AS1 AS3 AS6 AS10 AS20	A 30 bar 0 15 bar	0... Standard adhesive T=100°C 0... Standard material	0 without 4 2 bar 6 3 bar For filter element always '0'	P Nitrile V Viton	0 Without E Air Vent Valve S Dirt trap

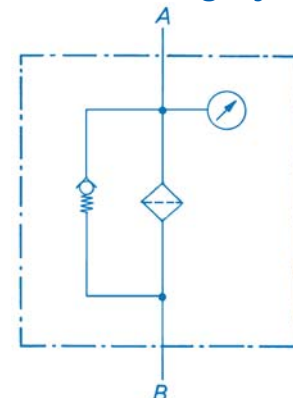
Filter Element → **1.** **361** **H10XL** - **A** **00** - **0** **P** -

Maintenance Indicator

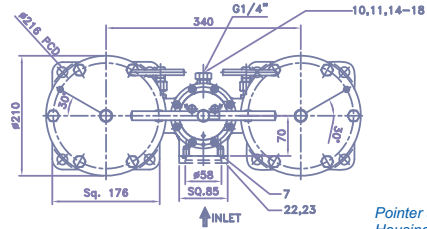
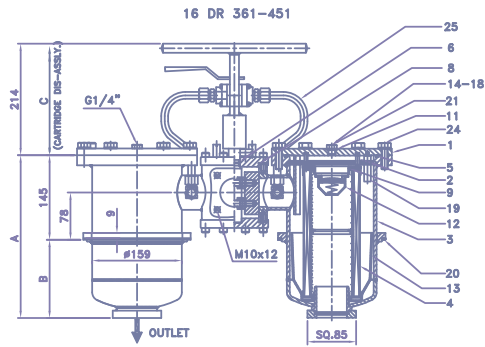
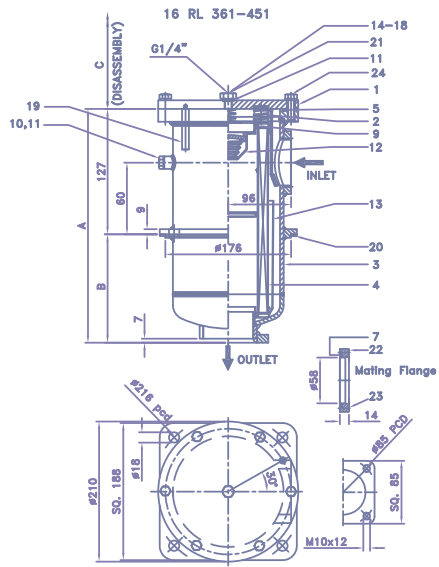
The maintenance indicator monitors the degree of dirt of the filter elements. They are available as visual or visual/electrical displays. See "Maintenance Indicator" brochure for technical data.

A... Optical	B... Optical	C... Optical/mechanical
Ordering information A=M 010	Ordering information B=M 040	Ordering information C=P 2,5
D... electrical closer F... electrical opener	G... electrical	K... optical/electrical with 2 diodes
Ordering information D2,5=H2,5 HS 32 00P* F2,5=H2,5 HA 32 00P*	Ordering information G2,5=H2,5 GW 33 00P*	Ordering information K2,5=H2,5 GS 34 00P*
Switch symbol 	Switch symbol 	Switch symbol

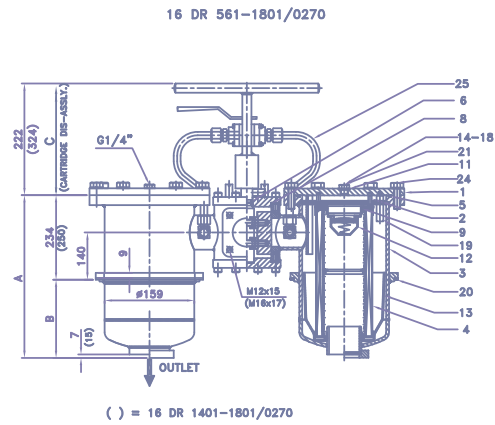
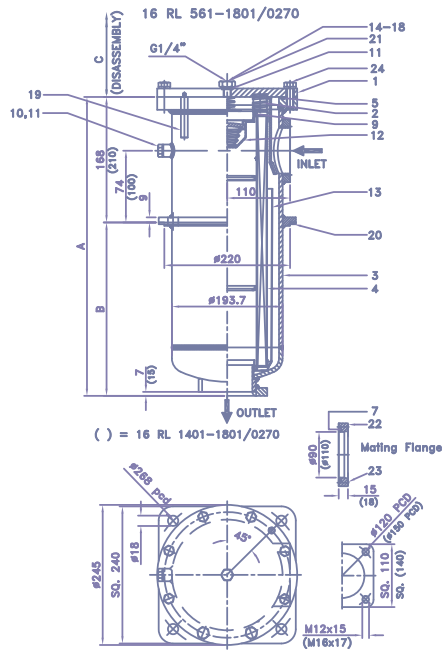
Filter Switching Symbol



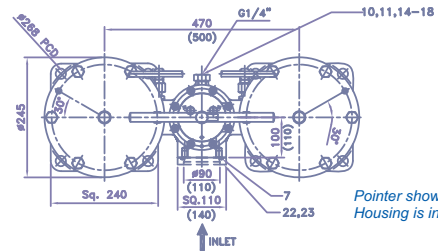
*P=Buna N; V= Viton, E= Ethylene-Propylene, N= Neoprene possible



Pointer shows which filter Housing is in service



() = 16 DR 1401-1801/0270



Pointer shows which filter Housing is in service

Equipment dimensions

Fig	Type		Connections		V in m/s	Weight (kgs)	A	B	C	
	PN	l/min	Inlet	Outlet						
1	16 RL	361	Sq.Fl.DN 50 or G2	G2	3	10	283	156	250	
	16 DR							138		
	16 RL	451						213		
	16 DR							195		
2	16 RL	561	Square Flange DN 80	G3	2	18	323	155	270	
	16 DR							89		
	16 RL	901						277		
	16 DR							211		
	16 RL	1401						358		520
	16 DR							318		
	16 RL	1801	Square Flange DN 100	Square Flange DN 100	3.8	27	815	605	770	
	16 DR							565		
	16 RL	1801/0270						846		1000
	16 DR							806		

All dimensions are in mm.

Note : Technical specifications are subject to change.



Filters . Accumulators

Filter Assembly and Initial Operation

Check the system maximum pressure against the pressure on the name plate.

Mount the filter on the tank and fix securely. Ensure inlet is on the top.

When the blanking plugs have been removed, install filter into the pipeline stress-free.

Initial operation

Ensure that the inlet and outlet connections of the filter are properly connected to the system.

During start-up and filling of filter open the air vent valve.

Close again when the fluid escapes. Filter is now ready for operation.

Filter Element change

If the red pin comes out of the maintenance indicator at normal operating temperature, or if a switch procedure is tripped in the electrical indicator, the filter housing is contaminated and the filter element must be changed.

Switch off the system.

Open the air-vent valve and release the pressure.

Unscrew and remove the filter top cover.

Pull the filter element from the housing with slight forward and backward movements.

Clean reusable elements as per the specified procedure (refer "Filter Elements" datasheet).

Clean the magnets.

Place new or cleaned elements on the shaft / spigot in the filter housing and assemble.

Ensure that the valves, pressure springs and gaskets are correctly positioned. Replace faulty gaskets.

Start as per section "Initial Operation".

EPE PROCESS FILTERS & ACCUMULATORS PVT LTD

Techni Towers

C-54/A, A.P.I.E., Balanagar

Hyderabad -500 037. A.P., India.

Tel. Nos. : 23778803/23778804/23871445

Fax Nos. : 040-23871447.

Internet : www.epe-india.com

E-mail : business@epe-india.com

Technical specifications are subject to change!