



Filters . Accumulators  
an ISO 9001 Company

### General

The Safety Block contains in one compact unit all the components required for easily connecting the accumulator to the hydraulic circuit and its protection from over pressure.. It also allows for quick dismounting of the accumulator or checking the precharge pressure during the system operating. Series BS25-32 is especially suitable for applications where large flow-rates are required.

### Construction

#### Standard version includes

- Body in Phosphated steel.
- 3-Way ball valve in chrome-plated steel connecting accumulator (A) to inlet (P) or discharge (T).
- Seat for assembling of relief valve.
- Installation side connection - BSP(F) parallel threaded.
- Accumulator side connection - BSP(M) suitable for the Accumulator.
- Connections for accumulator discharge (T) and pressure gauge (M)
- Gaskets for mineral oil (Nitrile)

#### On request it is supplied with

- Body in Nickle Coated Carbon Steel or SS
- Nipple for connection to Accumulator Relief Valve.
- Two-Way Solenoid Valve for electrical discharge, normally open.
- Gaskets in Viton
- Installation side connection for SAE & CETOP flanges.

## Accumulator Safety Block, Type-BS25-32



### Technical Features

- Diameter of inlet port : 25 and 32 mm
- Nominal flow rates at ~6m/s : BS25 = 180 lpm; BS32 = 290 lpm.
- Max. Working pressure : 330 Bar.
- Temperature range : -15 to +80 C (60 C with solenoid valve).
- Relief valve : Port Dia = 10mm  
Set at specified pressure 5 to 330 bar.
- Solenoid valve : Power voltage = DC 24V / AC 110/220V  
Power consumption = 20W - 67Va  
Protection = IP54

### Identification Code

BS 25	M	B	210	G	R	P	-
Type and Inlet Port	Discharge	Safety Valve	Relief Valve Setting (bar)	Accumulator Side Connection	Installation Side Connection	Gasket Material	Block Material
BS 25 BS 32	M = Manual E = Electric	A = Without Valve B = Calibrable Valve without testing P = Valve (TUV Tested)	210 330 Other Settings on request	H = Without Nipple G = Nipple 2" BSP M = Nipple M50x1.5 S = Special <sup>1)</sup>	R = BSP(F)Parallel Thread S = SAE drilling <sup>1)</sup> C = CETOP drilling <sup>1)</sup> FS = SAE flange <sup>1)</sup> FC = CETOP flange <sup>1)</sup>	P = Nitrile V = Viton	- = Phosphated Steel N = Nickle Coated Carbon Steel X = Stainless Steel

**EPE** EPE PROCESS FILTERS & ACCUMULATORS PVT LTD  
An ISO 9001 Company

Techni Towers  
C-54/A, A.P.I.E., Balanagar  
Hyderabad -500 037. A.P., India.  
Tel. Nos. : 23778803/23778804/23871445  
Fax Nos. : 040-23871447.  
Internet : www.epe-india.com  
E-mail : business@epe-india.com.



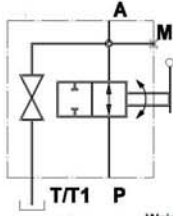
Note : Technical specifications are subject to change.

Catalogue Ref. : EPE/NP/001

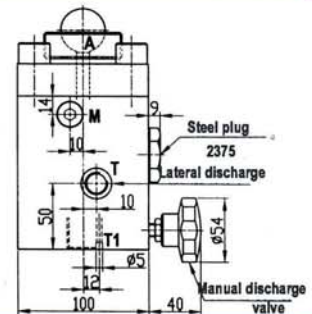
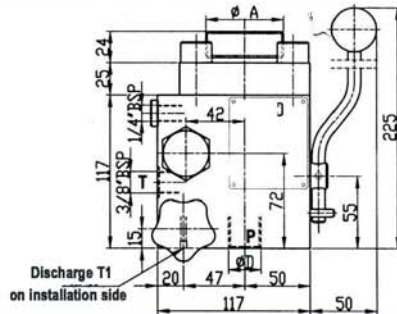
# Accumulator Safety Block, Type-BS25-32

## Dimensions

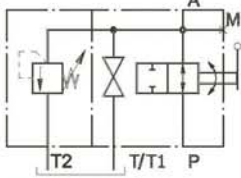
- BLOCK WITHOUT RELIEF VALVE
- MANUAL DISCHARGE



Weight: 12,2 Kg

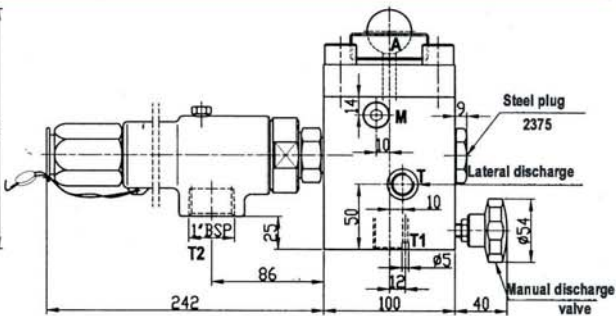
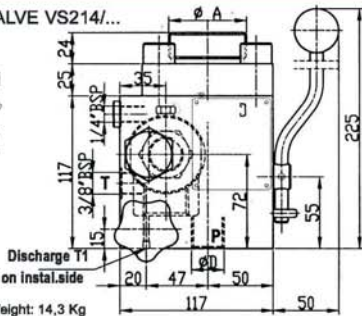


- BLOCK WITH SAFETY VALVE VS214/...
- MANUAL DISCHARGE

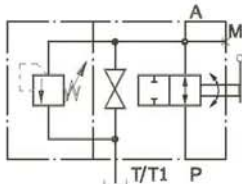


The block with valve VS214/... must have a connection for the manual discharge connection T or T1 and one to the valve (connection T2)

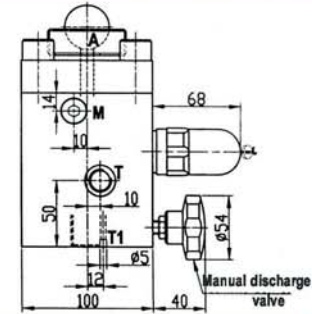
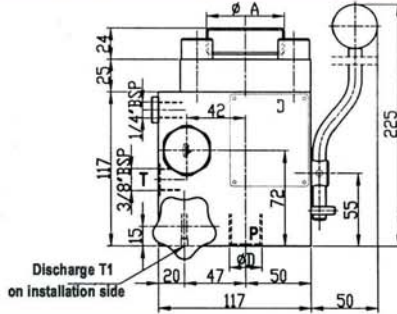
Weight: 14,3 Kg



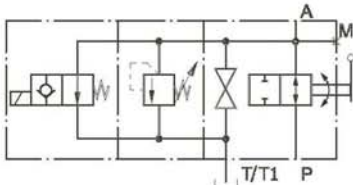
- BLOCK WITH RELIEF VALVE DBDS
- MANUAL DISCHARGE



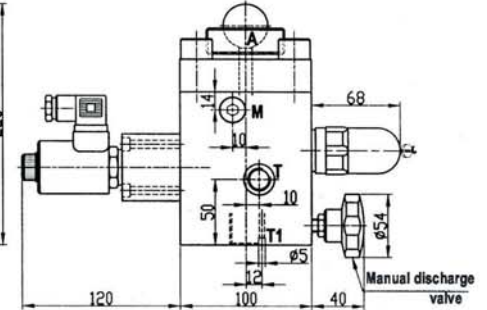
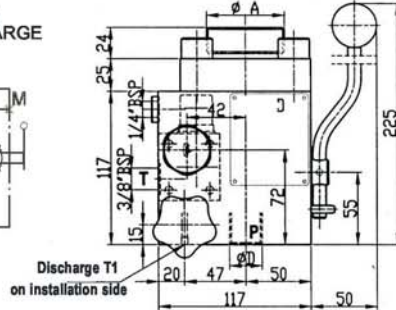
Weight: 12,2 Kg



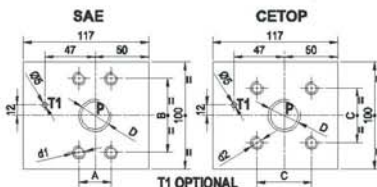
- BLOCK WITH RELIEF VALVE DBDS
- ELECTRICAL AND MANUAL DISCHARGE



Weight: 13,1Kg



**Attention:** the standard execution has the discharge connection T; on request is possible to have the discharge connection T1.



All dimensions in mm.

### INSTALLATION SIDE CONNECTIONS

Type	Standard version $\phi D$	For SAE Flanges		On request		For CETOP Flanges				
		A	B	d1	Thread height	C	d2	Thread height		
BS 25	1"	1"1/4 SAE 6000	31,6	66,7	M14	24	CETOP 38-400	51,6	M12	20
		1"1/4 SAE 6000	31,6	66,7	M14	24	CETOP 38-400	51,6	M12	20
BS 32	1"1/2	1"1/2 SAE 6000	36,7	79,4	M16	24	CETOP 38-400	51,6	M12	20
		2" SAE 3000	42,9	77,8	M12	20	CETOP 50-400	60,1	M14	24

Subject to change