



Filters . Accumulators

Application

Filtration of pressurised liquids and lubricants.
Filtration of liquids and gases.
Direct installation in pipelines.
Direct wear protection of subsequent components and systems.

Design

Two filter housings in welded steel design, connected by a change-over valve.
Connections lying one on top of the other at the front side of the change-over valve.
Material: as per spare parts list.

Filter Element

Pleated design with optimised pleat density and various filter media. The filter element is the most important component of the filter in view of prolonged life and wear protection of the system. Oil cleanliness, the initial pressure drop and the dirt holding capacity are the most important criteria for selection.
For further detailed information please refer our "Filter Elements" brochure.

Accessories

Bypass Valve

To protect the filter element during start up and over pressurisation due to clogging.

Indicator

For monitoring the filter element's contamination status.

Vent

For removing air from filter during starting and for safe depressurisation.

Drain

For removing contamination retained in the filter housing.

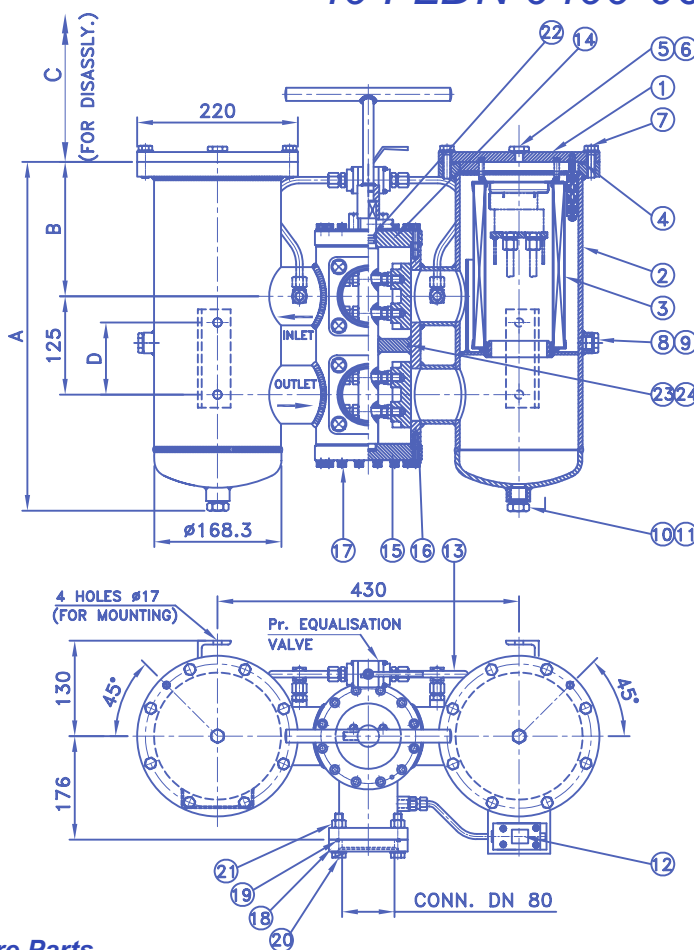
EPE PROCESS FILTERS & ACCUMULATORS PVT LTD

Techni Towers

C-54/A, A.P.I.E., Balanagar
Hyderabad -500 037. A.P., India.
Tel. Nos. : 23778803/23778804/23871445
Fax Nos. : 040-23871447.
Internet : www.epe-india.com
E-mail : business@epe-india.com

Duplex Filter

40 FLD 0060-0120
40 FLDN 0400-0630



Spare Parts

Pos	Quantity	Designation	Material	Ordering information
1	2	Filter cover	St	Please indicate ord.inf. "Filter"
2	1	Filter housing	St	Please indicate ord.inf. "Filter"
3	2	Filter element	Various	Please indicate ord.inf. "Filter element"
4	2	O-ring	Buna N	Part. No.261
5	2	Air ventilate screw or vent valve	St Bronze	Part. No.4158 Part.No.848
6	2	Sealing ring	Soft iron	Part. No.832
7	16	Hexagon screw	8.8	Part. No.595
8	2	Blanking plug	St	Part. No.789
9	2	Sealing ring	Soft iron	Part. No.833
10	2	Blanking plug	St	Part. No.790
11	2	Sealing ring	Soft iron	Part. No.834
12	1	Maintenance indicator	Various	Refer selection "Maintenance indicator"
13	1	Pressure equalisation line	Various	Please indicate ord.inf."Filter"
14	1	Cover	St	Part. No.4052
15	1	Bottom	St	Part. No.4051
16	2	Sealing	IT	Part. No.1089
17	32	Hexagon socket head cap screw	8.8	Part. No.639
18	2	Counter flange	St	Part. No.4359
19	2	O-ring	Buna N	Part. No.219
20	8	Hexagon screw	8.8	Part. No.597
21	8	Hexagon nut	St	Part. No.683
22	2	O-ring	Buna N	Part. No.126
23	1	O-ring	Buna N	Part. No.235
24	1	Guide ring	PTFE	Part. No.4044

Dimensions

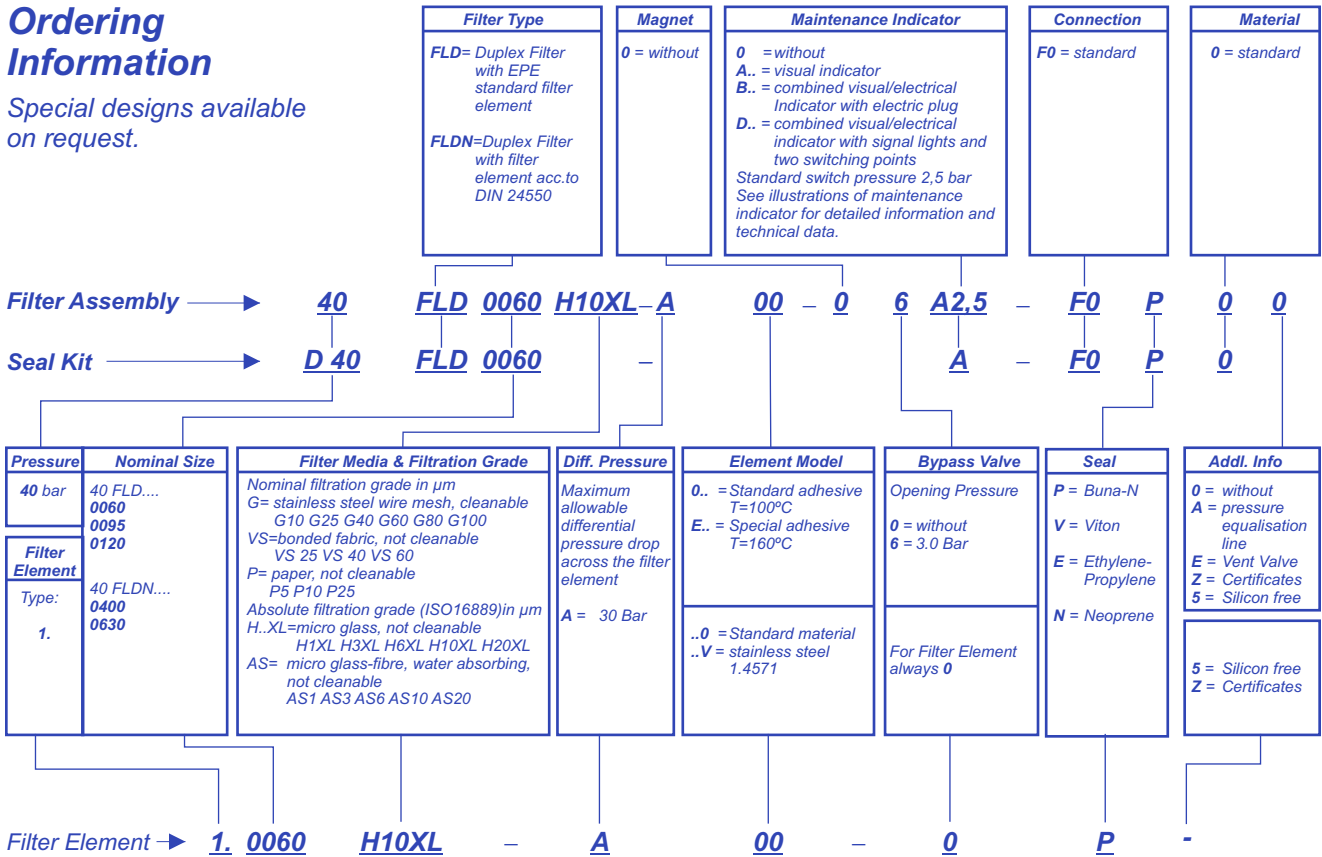
Type	Capacity in l	Weight in kg ¹⁾	A	B	C ²⁾	D
40 FLD 0060	2x8	84	485	205	270	110
40 FLD 0095	2x11	86	635	355	420	110
40 FLD 0120	2x18	99	992	712	780	250
40 FLDN 0400	2x8	84	485	205	270	110
40 FLDN 0630	2x11	86	635	355	420	110

1)= Weight including standard filter element and maintenance indicator
2)= Construction dimension for filter element change



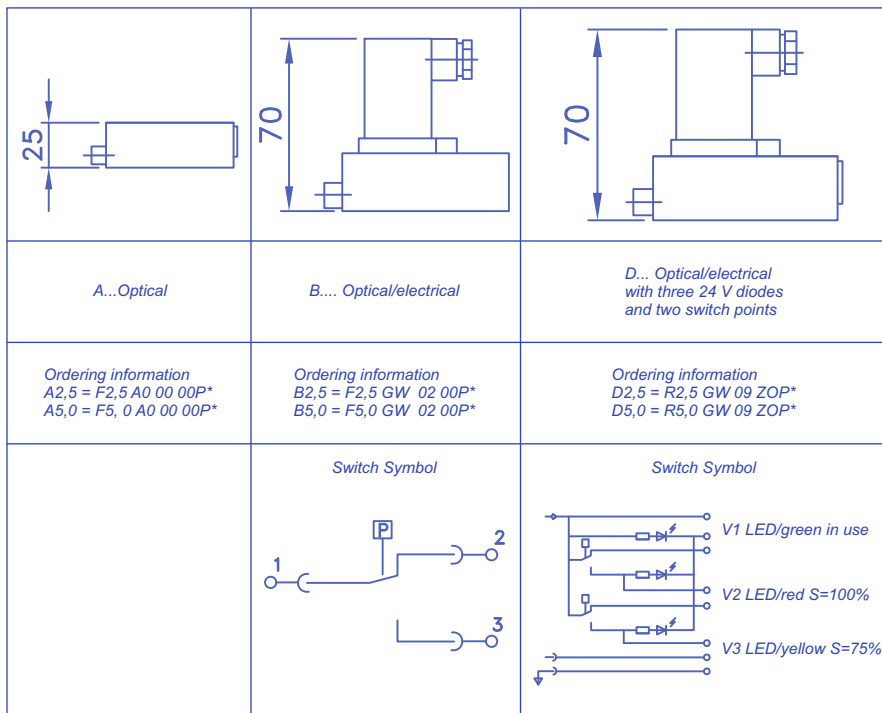
Ordering Information

Special designs available on request.

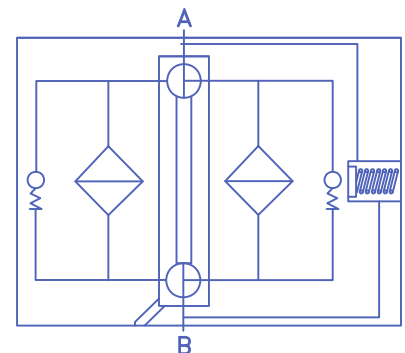


Maintenance Indicator

Maintenance indicators used for monitoring the filter element's contamination status. They are available as visual/electrical indicators. For technical data refer our brochure "Maintenance Indicators".



Filter Switching Symbol



* Buna N / Nitrile, V = Viton, E = Ethylene propylene; N = Neoprene possible

Disposal

Before the filter is sent for disposal or recycling, it should always be de-pressurised completely. It is suggested that the filter is dismantled and the components disposed of as industrial waste.

Fluid residues are to be drained completely before disposal / recycle of the accumulator.

Filter Elements - Oil from the used filter elements is to be drained before the element is sent for disposal or recycling.

Decontaminate if needed and in accordance with local regulations.

Environmental Protection

Careless disposal of the product and/or residual fluid contained therein can cause environmental pollution.

Dispose the product in accordance with provisions applicable in the country of use.

Fluid residues are to be disposed according to the respective safety data sheets (MSDS) valid for the specific hydraulic fluids.

EPE PROCESS FILTERS & ACCUMULATORS PVT LTD

Techni Towers

C-54/A, A.P.I.E., Balanagar

Hyderabad -500 037, Telangana, India.

Tel. Nos. : 23778803/23778804/23871445

Fax Nos. : 040-23871447.

Internet : www.epe-india.com

E-mail : business@epe-india.com

