



Filters . Accumulators

## Stainless Steel - Duplex Filter

40/100 ED 0004-0019

Operation pressure 40/100 bar

Connection up to SAE 1"

### Application

Filtration of aggressive chemical or water based fluids. Filtration of gases. Direct installation in pipelines to provide wear protection of subsequent components and systems. Continuous operation due to duplex filter design.

### Design

Filter head with inlet, outlet and filter element spigot.

### Filter Element

Pleated design with optimised pleat density and various filter media. The filter element is the most important component of the "FILTER" to provide prolonged life and wear protection of the system. Oil cleanliness, the initial pressure drop and the dirt holding capacity are the most important criteria for selection. For further detailed information please refer our "Filter Elements" brochure.

### Accessories

#### Maintenance Indicator

For monitoring the filter element's contamination status, visual and visual/electrical indicators, with one or two switching points are available.

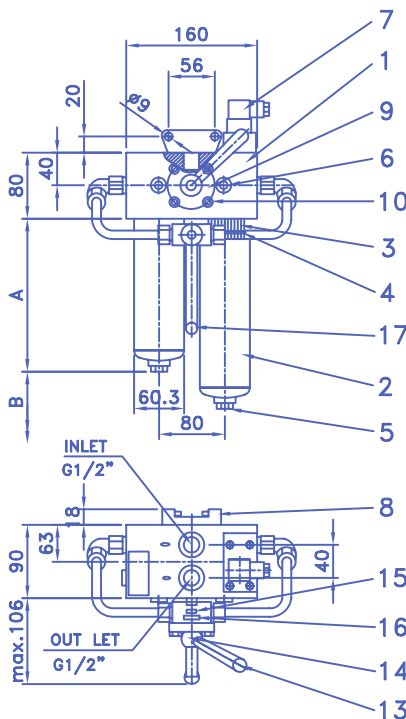
#### Bypass Valve

For the protection of the filter elements during cold start and when the differential pressure is exceeded due to clogging.

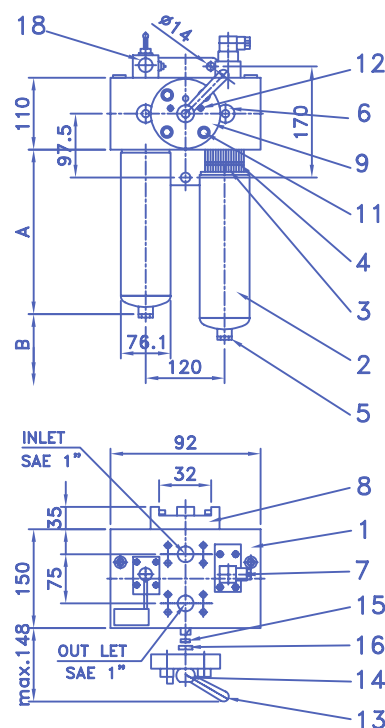
#### Vent Screw

For removing the air from the filter during starting and for safe depressurisation.

40/100 ED 0004-0008



40/100 ED 0014-0019



### Spare Parts

Part	Qty.	Designation	Size Material	40/100 ED 0004-0008	40/100 ED 0014-0019
1	1	Filter head	1.4571	Please indicate ordering information "Filter"	
2	2	Filter bowl	1.4571	Please indicate ordering information "Filter"	
3	2	Filter element	Various	Please indicate ord.inf. "Filter Element"	
4	2	O-ring	Viton	Please indicate ord.inf. "Seal Kit"	
5	2	Blanking plug	1.4571/Viton	Part No. 3496	
6	2	Vent screw	1.4571/Viton	Part No. 13284	
7	1	Maintenance Indicator	Various	Please indicate ord.inf. "Maintenance Indicator"	
7.1	1	Blanking plug (for construction without maintenance indicator)	A4	Part No. 3461	
8	1	Valve bottom	1.4581	Part No. 3760	Part No. 17625
9	1	Valve cover	1.4571	Part No. 21198	Part No. 17626
10	8	Hexagon screw	A4-70	Part No. 3375	-
11	8	Hex.socket head cap screw	A4-70	-	Part No. 3811
12	2	Shoulder stud	A4	-	Part No. 3443
13	1	Lever	A2	Part No. 11832	
14	1	Clamping sleeve	1.4571	Part No. 3434	
15	1	O-ring	Viton	Please indicate ord.inf. "Seal Kit"	
16	1	O-ring	Viton	Please indicate ord.inf. "Seal Kit"	
17	1	Pressure equalisation device	1.4571	Please indicate ord. information "Filter"	-
18	1	Ball valve, compl.	Various	-	Please indicate ord. information "Filter"

### Dimensions

Type	Capacity in l	Weight in kg <sup>1)</sup>	A	B <sup>2)</sup>
40/100 ED 0004	2x0,35	12,5	108	120
40/100 ED 0008	2x0,65	13,2	185	
40/100 ED 0014	2x0,85	39,5	150	
40/100 ED 0015	2x1,05	40,8	199	
40/100 ED 0018	2x1,35	42,5	250	
40/100 ED 0019	2x1,55	43,8	300	

1)= Weight including standard filter element and maintenance indicator  
2)= servicing height for filter element replacement

## EPE PROCESS FILTERS & ACCUMULATORS PVT LTD

### Techni Towers

C-54/A, A.P.I.E., Balanagar

Hyderabad -500 037. A.P., India.

Tel. Nos. : 23778803/23778804/23871445

Fax Nos. : 040-23871447.

Internet : www.epe-india.com

E-mail : business@epe-india.com



# Ordering Information

Special designs available on request.

<b>Filter Type</b> ED= stainless steel duplex filter	<b>Magnet</b> 0 = without 2 = magnet non ferrous metal	<b>Maintenance Indicator</b> 0 = without A.. = visual indicator B.. = combined visual/electrical Indicator with electric plug D.. = combined visual/electrical indicator with signal lights and two switching points  Switch pressure 2.5 bar or 5.0 bar Detailed order reference and technical data please see data sheet 64 "Maintenance Indicator"	<b>Connection</b> R0 = pipe thread for 40/100 ED 0004-0008  S0 = SAE-flange for 40/100 ED 0014-0019	<b>Material</b> 0 = stainless Steel 1.4571 Standard
---	--	--	--	--

Filter Assembly → **40** **ED 0014 H10XL - A** **0V - 0** **0 B2,5** - **S0 V** **0 A**  
 Seal Kit → **D 40** **ED 0014** - **B** - **S0 V** **0**

Pressure	Nominal Size	Filter Media & Filtration Grade	Diff. Pressure	Element Model	Bypass Valve	Seal	Addl. Info
40 bar 100 bar	0004 0008 0014 0015 0018 0019	Nominal filtration grade in µm G= stainless steel wire mesh, cleanable G10 G25 G40 G60 G80 G100 VS=bonded fabric, not cleanable VS 25 VS 40 VS 60 P= paper, not cleanable P5 P10 P25 Absolute filtration grade (ISO16889)in µm H..XL=micro glass, not cleanable H1XL H3XL H6XL H10XL H20XL AS= micro glass-fibre, water absorbing, not cleanable AS1 AS3 AS6 AS10 AS20	Maximum allowable differential pressure drop across the filter element  A = 30 bar C = 160 bar	0.. = Standard adhesive T=100°C E.. = Special adhesive T=160°C  ..V = stainless steel 1.4571 standard ..Z = Zinc free	0 = without 7 = 3.5 bar only for 40/100 ED 0004-0008  For Filter Element always 0	P = Buna-N / Nitrile  V = Viton  E = Ethylene-Propylene  N = Neoprene	A = pressure equalisation standard E = Vent Valve Z = Certificates 0 = without 5 = Silicon free  5 = Silicon free Z = Certificates

Filter Element → **2. 0014 H10XL - A** **0V** - **0** **V** -

## Installation, Starting and Maintenance

### Installation

Verify operation pressure with name plate information.  
Mount the filter assembly using mounting holes on the head considering flow direction (direction arrows) and servicing height required for cleaning/replacing elements.  
Remove dust protection plugs from filter inlet and outlet, screw filter in pipeline without tension stress.

### Connection of Electrical Maintenance Indicator

See brochure 64.

### WARNING

Assembly and disassemble filter only when system is switched off!  
Vessel is under pressure!  
Leave pressure equalisation valve closed while filter housing is out of service!  
Do not change maintenance indicator or pressure equalisation valve when filter is under pressure!  
Functions and safety warranty only with EPE-spare part!  
Service filter only by trained personal!  
Coat the thread latest after two years with MoS2 bonded coating

### Starting

Switch on system pump. Ventilate filter by opening the vent screw, close when operating liquid emerges. Close pressure equalisation.

### Maintenance

The filter element is clogged and needs to be replaced or cleaned when at operating temperature the visual indicator's red pin reaches its final position and/or the electrical switch is activated.

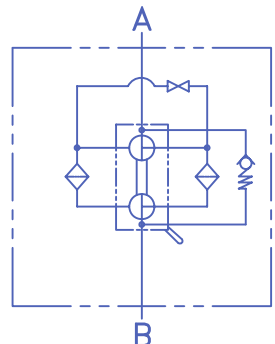
### Filter Element Service

Open pressure equalisation to equalise pressure in both filter housings.  
Switch lever on clean filter side. Close pressure equalisation.  
Open the vent screw on the filter taken out of operation and reduce the pressure.  
Unscrew filter bowl and remove filter element, turning slightly off from its spigot in the filter head.  
Check filter bowl inside and clean if necessary.  
Replace filter element H...XL...and VS... The filter element with G...and M...media is cleanable.  
Pressure drop prior to servicing/cleaning the element. If the differential pressure after the filter element's cleaning process exceeds more than 50% of the pre service value the G...and M...element also needs to be replaced. Install cleaned or replaced filter element by slightly turning it back on its spigot. Check o-ring on filter bowl, replace in case of damage or wear. Screw filter bowl!  
Ventilate filter by opening the vent screw, close when operating liquid emerges. Leave pressure equalisation closed.

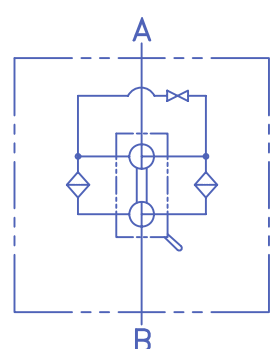
Technical modifications reserved!

## Filter Switching Symbol

40/100 ED 0004-0008



40/100 ED 0014-0019



### Disposal

Before the filter is sent for disposal or recycling, it should always be de-pressurised completely. It is suggested that the filter is dismantled and the components disposed of as industrial waste.

Fluid residues are to be drained completely before disposal / recycle of the accumulator.

Filter Elements - Oil from the used filter elements is to be drained before the element is sent for disposal or recycling.

Decontaminate if needed and in accordance with local regulations.

### Environmental Protection

Careless disposal of the product and/or residual fluid contained therein can cause environmental pollution.

Dispose the product in accordance with provisions applicable in the country of use.

Fluid residues are to be disposed according to the respective safety data sheets (MSDS) valid for the specific hydraulic fluids.

### EPE PROCESS FILTERS & ACCUMULATORS PVT LTD

#### Techni Towers

C-54/A, A.P.I.E., Balanagar

Hyderabad -500 037, Telangana, India.

Tel. Nos. : 23778803/23778804/23871445

Fax Nos. : 040-23871447.

Internet : [www.epe-india.com](http://www.epe-india.com)

E-mail : [business@epe-india.com](mailto:business@epe-india.com)

