



Filters . Accumulators  
an ISO 9001 Company

### General

These valves are designed to protect the Accumulators from over-pressure exceeding the value of maximum working pressure printed on the bottles.

### Installation

The safety valves must be mounted close to the gas valve and in direct contact with the nitrogen contained in the Accumulator. Suitable adaptors have to be used for direct mounting on the gas valve.

**Before mounting, be sure that the gas pressure is fully relieved.**

### Technical & Constructional features

#### Type : VS214/...

This valve is characterised by a port size of 9.5mm. The body is of A105 construction, Spring of alloy steel and Disk in aluminium-bronze or 17-4PH. Seals are not provided. Valve tightness is ensured by accurate lapping of the disk surface.

#### Type : VS6E/... and VS6T/...

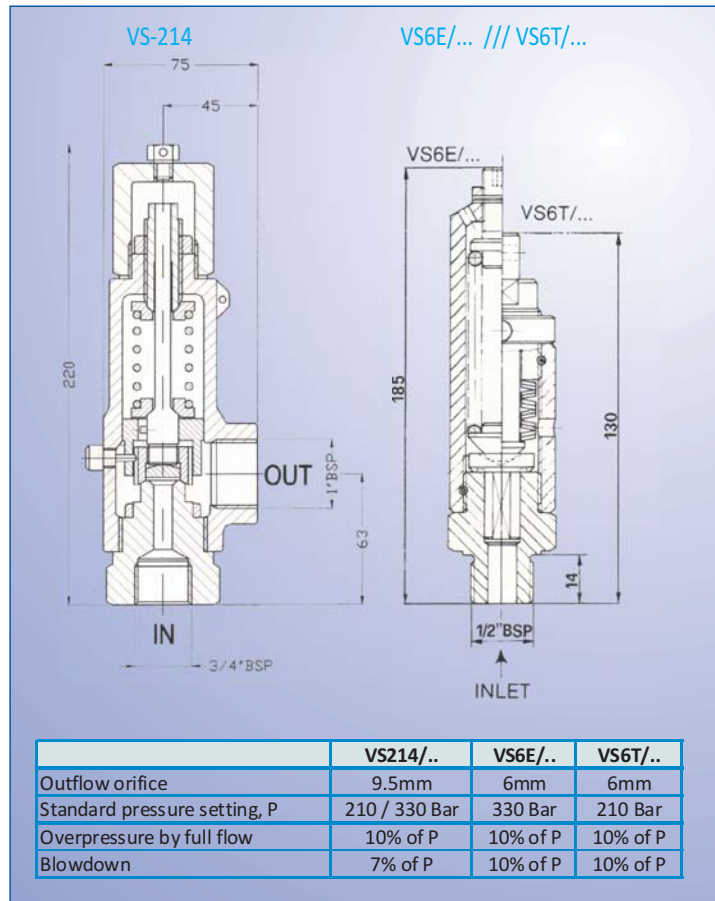
These valves have an outflow orifice diameter of 6mm and sealing is ensured by a vulcanised gasket on the seat.

The body is in steel construction.

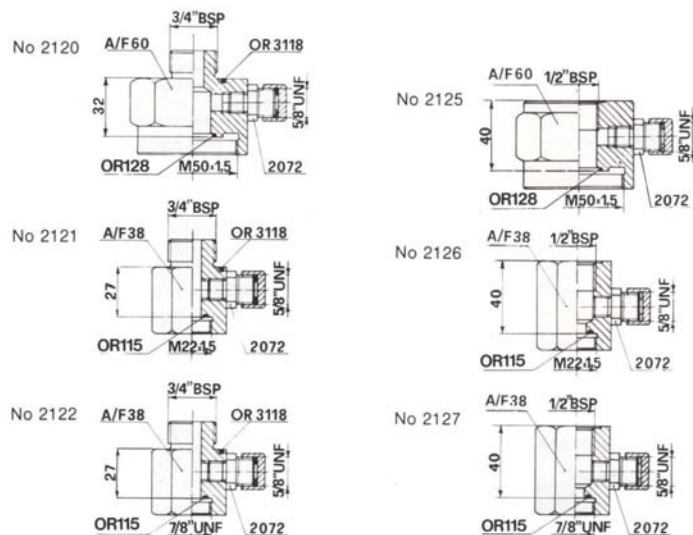
Type VS6T/... has bellville springs

Type VS6E/... has helical springs.

## Gas Safety Valves, Type-VS



### Mounting Adaptors



**EPE** EPE PROCESS FILTERS & ACCUMULATORS PVT LTD  
An ISO 9001 Company

#### Techni Towers

C-54/A, A.P.I.E., Balanagar  
Hyderabad -500 037. A.P., India.  
Tel. Nos. : 23778803/23778804/23871445  
Fax Nos. : 040-23871447.  
Internet : www.epe-india.com  
E-mail : business@epe-india.com.



Note : Technical specifications are subject to change.

Catalogue Ref. : EPE/NP/001